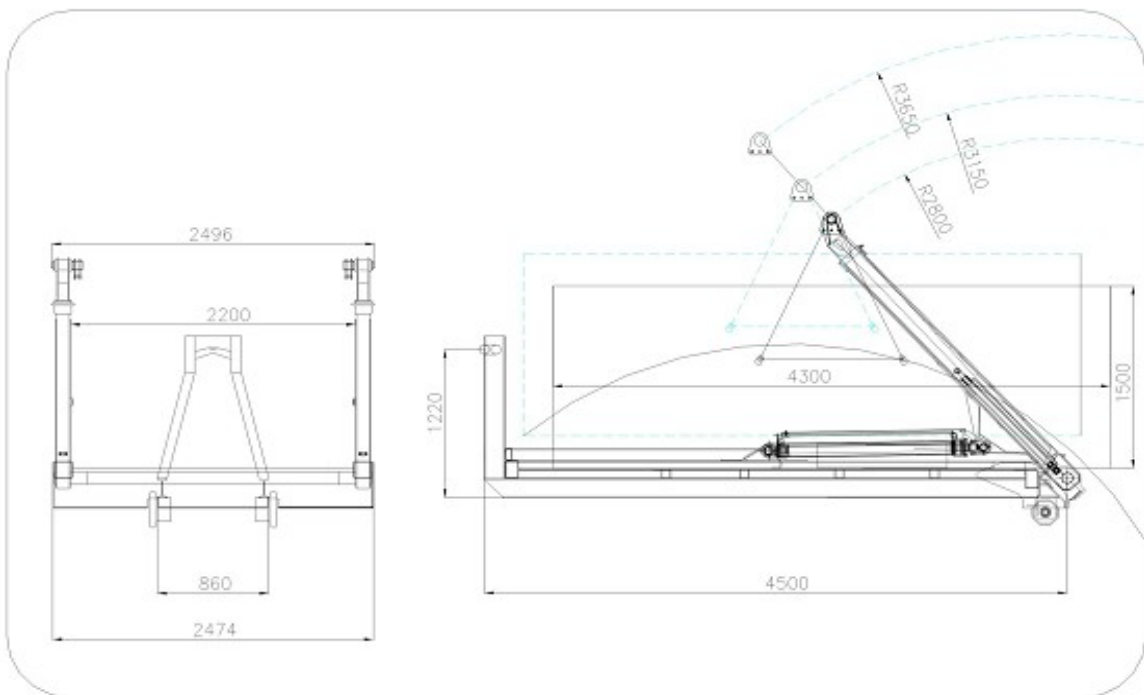




EOS-ENVIRO Skip Loader Module MB 5/3 SC for Hook Lift Usage

Technical Data Sheet (Status: 01/2016)



Lifting Capacity: Retracted Arms: 5,000 kg * Extended Arms: 3,000 kg
Max. Working Pressure: 260 bar * Hydraulic Oil Flow: 40 ltrs./min.
Tare Weight: 1,850 kgs. * Telescopic Arms

No.89, 6F, Chingdong St., 70144 Tainan/Taiwan ROC * Website: www.eos-enviro.com
Ph.: +886 6 7873 708 * Cell Phone: +886 9 3334 6753
Business No. 28980981 * Registered Im- & Exporter by MOEA/BOFT
E-mail: eos@eos-enviro.com